

ROBOTICS

Product manual, spare parts

IRB 1600/1660



Trace back information:
Workspace 22D version a9
Checked in 2022-12-16
Skribenta version 5.5.019

Product manual, spare parts

IRB 1600 - 5/1.2 type A
IRB 1600 - 5/1.45 type A
IRB 1600 - 6/1.2 type A
IRB 1600 - 6/1.45 type A
IRB 1600 - 7/1.2 type A
IRB 1600 - 7/1.45 type A
IRB 1600 - 8/1.2 type A
IRB 1600 - 8/1.45 type A
IRB 1600 - 10/1.2 type A
IRB 1600 - 10/1.45 type A
IRB 1600ID - 4/1.5
IRB 1600ID - 4/1.5 type A
IRB 1660ID - 6/1.55
IRB 1660ID - 4/1.55

IRC5

Document ID: 3HAC049104-001

Revision: N

The information in this manual is subject to change without notice and should not be construed as a commitment by ABB. ABB assumes no responsibility for any errors that may appear in this manual.

Except as may be expressly stated anywhere in this manual, nothing herein shall be construed as any kind of guarantee or warranty by ABB for losses, damage to persons or property, fitness for a specific purpose or the like.

In no event shall ABB be liable for incidental or consequential damages arising from use of this manual and products described herein.

This manual and parts thereof must not be reproduced or copied without ABB's written permission.

Keep for future reference.

Additional copies of this manual may be obtained from ABB.

Original instructions.

© Copyright 2014 - 2022 ABB. All rights reserved.
Specifications subject to change without notice.

Table of contents

Overview of this manual	7
Product documentation	10
1 Compatibility between gearboxes and motors	13
1.1 Compatible gearboxes and motors	13
2 Spare part lists and illustrations	15
2.1 Spare parts - base	15
2.2 Spare parts - base connections	19
2.3 Spare parts - frame	21
2.4 Spare parts - lower arm	23
2.5 Spare parts - upper arm	25
2.6 Spare parts - upper arm 1600ID	29
2.7 Spare parts - upper arm 1660ID	36
2.8 Spare parts - options	41
Index	43

This page is intentionally left blank

Overview of this manual

About this manual

This manual contains spare parts for:

- IRB 1600 and all its variants.

Usage

This manual shall be used as a complement to the product manual for IRB 1600 during:

- maintenance work
- repair work.

Who should read this manual?

This manual is intended for:

- maintenance personnel
- repair personnel.

Prerequisites

Maintenance/repair/installation personnel working with an ABB Robot must:

- be trained by ABB and have the required knowledge of mechanical and electrical installation/repair/maintenance work.

Organization of chapters

The manual is organized in the following chapters:

Chapter	Contents
1 Compatibility between gearboxes and motors	Information about matching motors and gearboxes, due to different sub-suppliers.
2 Spare part lists and illustrations	Complete spare part list and complete list of robot components shown in exploded views.

References

Reference	Document ID
<i>Product manual - IRB 1600/1660</i>	<i>3HAC026660-001</i>
<i>Circuit diagram - IRB 1600/1660</i>	<i>3HAC021351-003</i>

Revisions

Revision	Description
-	First edition
A	Changes made in this revision: <ul style="list-style-type: none"> • Spare parts with color Graphite White are added to the spare part lists.

Continues on next page

Revision	Description
B	<p>Changes made in this revision:</p> <ul style="list-style-type: none"> • Added spare parts for IRB1600ID - 6/1.55, see Spare part list, upper arm IRB 1660ID on page 36. • Removed spare parts for Force sensor package small. These are described in <i>Product manual - Integrated Force Control</i>. • Modified the article numbers of motors and gearboxes from Rexnord. • Removed the spare part Axis-3 gearbox (from Rexnord) whose protection type is Clean Room because IRB 1600 has no Clean Room option. • Corrected the spare part number of Cable harness motor 1 - 2 on frame from 3HAC023754-001 to 3HAC023754-007. • Minor changes
C	<p>Changes made in this revision:</p> <ul style="list-style-type: none"> • Renamed the variant IRB 1600ID - 6/1.55 to IRB 1660ID - 6/1.55. • Corrected names of spare parts
D	<p>Changes made in this revision:</p> <ul style="list-style-type: none"> • Added a new variant IRB 1660ID - 4/1.55. • Removed 6/1.55 from the 1660ID section titles, for the variants 6/1.55 and 4/1.55 have the same spare parts. • Updated the spare part number of Stop pin from 3HAB3258-1 to 3HAC057412-001.
E	<p>Published in release R17.1. The following updates are made in this revision:</p> <ul style="list-style-type: none"> • Updated spare parts due to new standard calibration method (Axis Calibration). <ul style="list-style-type: none"> - Base - Axis-1 and axis-2 gearbox - Lower arm - Upper arm, IRB 1600 and IRB 1660ID - Wrist unit, IRB 1600 and IRB 1660ID
F	<p>Published in release R17.2. The following updates are made in this revision:</p> <ul style="list-style-type: none"> • Added info regarding the parallel pin enclosed with the wrist spare part. • Sub-supplier of motors and gearboxes from Rexnord changed to from Premium Stephan. • Added sub-supplier information for axis-3 motors on upper arms of IRB 1600ID and IRB 1660ID, and for the whole upper arm of IRB 1660ID. • Removed serial measurement board DSQC 633A.
G	<p>Published in release R18.1. The following updates are made in this revision:</p> <ul style="list-style-type: none"> • Updated spare parts brake release unit (was DSQC574, is DSQC1054) • Removed the duplicated spare part Cable harness, Motor 1-2 (3HAC023754-007) from the base spare part list. • Added color options for spare part Cable harness, Motor 1-2 in the frame spare part list.
H	<p>Published in release 19D. The following updates are made in this revision:</p> <ul style="list-style-type: none"> • Removed the spare part position switch, axis 1.
J	<p>Published in release 20C. The following updates are made in this revision:</p> <ul style="list-style-type: none"> • Updated the item number for contact panel on upper arm to 76. • Changed the dust cap 5217649-82 and environmental dust cap 3HAA1001-7273 on upper arm to dust cap, bayonet 3HEA800897-004 and dust cap, bayonet 3HEA800897-002, respectively.

Revision	Description
K	Published in release 20D. The following updates are made in this revision: <ul style="list-style-type: none"> • New spare part added: oil plug with sealing on axis-5.
L	Published in release 21A. The following updates are made in this revision: <ul style="list-style-type: none"> • Added color options for spare parts Complete upper arm from SAMP and Cover arm housing, which are on the upper arm.
M	Published in release 22B. The following updates are made in this revision: <ul style="list-style-type: none"> • Added spare part Lamp unit (3HAC16738-1) for IRB 1600ID and IRB 1660ID.
N	Published in release 22D. The following updates are made in this revision: <ul style="list-style-type: none"> • Changed the spare part number of <i>V-ring (sealing ring)</i> from 3HAB3732-21 to 3HAB3773-11.

Product documentation

Categories for user documentation from ABB Robotics

The user documentation from ABB Robotics is divided into a number of categories. This listing is based on the type of information in the documents, regardless of whether the products are standard or optional.



Tip

All documents can be found via myABB Business Portal, www.abb.com/myABB.

Product manuals

Manipulators, controllers, DressPack/SpotPack, and most other hardware is delivered with a **Product manual** that generally contains:

- Safety information.
- Installation and commissioning (descriptions of mechanical installation or electrical connections).
- Maintenance (descriptions of all required preventive maintenance procedures including intervals and expected life time of parts).
- Repair (descriptions of all recommended repair procedures including spare parts).
- Calibration.
- Troubleshooting.
- Decommissioning.
- Reference information (safety standards, unit conversions, screw joints, lists of tools).
- Spare parts list with corresponding figures (or references to separate spare parts lists).
- References to circuit diagrams.

Technical reference manuals

The technical reference manuals describe reference information for robotics products, for example lubrication, the RAPID language, and system parameters.

Application manuals

Specific applications (for example software or hardware options) are described in **Application manuals**. An application manual can describe one or several applications.

An application manual generally contains information about:

- The purpose of the application (what it does and when it is useful).
- What is included (for example cables, I/O boards, RAPID instructions, system parameters, software).
- How to install included or required hardware.
- How to use the application.

Continues on next page

- Examples of how to use the application.

Operating manuals

The operating manuals describe hands-on handling of the products. The manuals are aimed at those having first-hand operational contact with the product, that is production cell operators, programmers, and troubleshooters.

This page is intentionally left blank

1 Compatibility between gearboxes and motors

1.1 Compatible gearboxes and motors

Gearbox and motor pinion from the same sub-supplier

The sub-supplier of the gearbox also delivers a matching motor pinion. When replacing either the gearbox or the motor it is important that the motor pinion and gearbox are compatible, in other words come from the same sub-supplier.

The tables show which sub-supplier has designed which gearbox and also which motor contains a motor pinion from the same sub-supplier. Use the tables to determine which spare part to order based on what part the robot is equipped with.



Note

Identify the old gearbox and motor by its article number. Order a new gearbox and motor with its spare part number, given in the table.

Motors and gearboxes from SAMP

Article number	Spare part number	Color	Description
3HAC041022-001	3HAC044504-001	ABB Orange	Axis-1 and axis-2 motor
	3HAC050383-001	Graphite White	
3HAC039802-001	3HAC062042-001	ABB Orange	Axis-1 and axis-2 gearbox
	3HAC062042-002	Graphite White	
3HAC041023-001	3HAC044557-001	-	Axis-3 motor
3HAC039803-001 (axis-3 gearbox)	3HAC062072-001 (complete upper arm)	ABB Orange	Type of protection: Standard, Foundry Plus
3HAC039803-001 (axis-3 gearbox)	3HAC062072-002 (complete upper arm)	Graphite White	
3HAC039804-001 (axis-3 gearbox)	3HAC044560-001 (complete upper arm)	ABB Orange	1600ID upper arm (with integrated cabling)
	3HAC050386-001 (complete upper arm)	Graphite White	

Motors and gearboxes from Premium Stephan

Article number	Spare part number	Color	Description
3HAC021797-001	3HAC023557-001	ABB Orange	Axis-1 and axis-2 motor
	3HAC050387-001	Graphite White	
3HAC042220-001	3HAC023555-001	ABB Orange	Axis-1 and axis-2 gearbox
	3HAC050388-001	Graphite White	
3HAC021798-001	3HAC021798-003	-	Axis-3 motor

Continues on next page

1 Compatibility between gearboxes and motors

1.1 Compatible gearboxes and motors

Continued

Article number	Spare part number	Color	Description
3HAC042222-001 (axis-3 gearbox)	3HAC026567-001 (complete upper arm)	ABB Orange	Type of protection: Standard, Foundry Plus
	3HAC050389-001 (complete upper arm)	Graphite White	
3HAC042224-001 (axis-3 gearbox)	3HAC029215-001 (complete upper arm)	ABB Orange	1600ID upper arm (with integrated cabling)
	3HAC050390-001 (complete upper arm)	Graphite White	

2 Spare part lists and illustrations

2.1 Spare parts - base

Base, spare part list

The spare parts for the base are listed below and shown in the following figure.

Item number	Description	Spare part number	Color	Dimension/note
1	Base, spare	3HAC062041-001	ABB Orange	
		3HAC062041-002	Graphite White	
2	Stop pin	3HAC057412-001	-	
3	Cover base, spare	3HAC023554-001	ABB Orange	
		3HAC050393-001	Graphite White	
4	Gasket, base cover	3HAC022047-001	-	
6	VK-cover	3HAA 2166-26	-	D=180, B=12
7	Serial measurement board	3HAC044168-001	-	RMU101 Use only with battery unit (3-pole battery contact) 3HAC044075-001
8	DSQC1054 Push button/Brake release unit	3HAC064944-001	-	
9	Battery unit (2-pole battery contact)	3HAC16831-1	-	Lithium, 34x102x63 Use only with SMB 3HAC031851-001 ⁱ
9	Battery unit (3-pole battery contact)	3HAC044075-001	-	Lithium, 2-cell RMU Use only with SMB 3HAC044168-001
11	Push button guard	3HAC6499-1	-	
12	Signal cable SMB	3HAC4050-1	-	
13	Torx pan head screw	9ADA618-56	-	Steel 8.8-A2F M6 x 16
14	Centering piece	3HAC025815-001	-	

Continues on next page

2 Spare part lists and illustrations

2.1 Spare parts - base

Continued

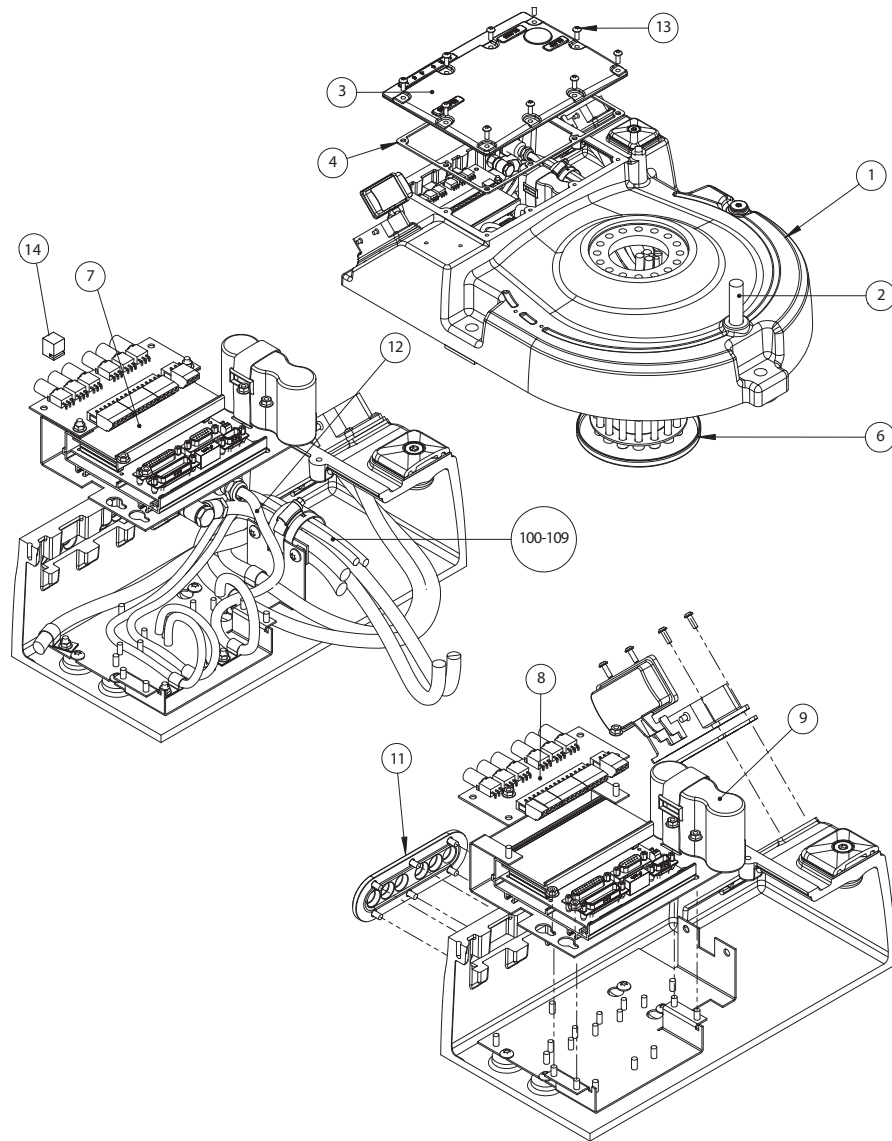
Item number	Description	Spare part number	Color	Dimension/note
100-109	Cable harness IRB 1600/1.45	3HAC021827-001	-	
	Cable harness IRB 1600/1.45, Customer connections	3HAC021828-001	-	
	Cable harness IRB 1600/1.45, Wire feeder	3HAC021830-001	-	
	Cable harness IRB 1600/1.2, Customer connections	3HAC021828-003	-	

ⁱ SMB 3HAC031851-001 is unavailable for order. If SMB 3HAC031851-001 needs to be replaced, order SMB 3HAC044168-001 and battery unit 3HAC044075-001.

Continues on next page

Base, exploded view

DSQC633A



xx0500001382

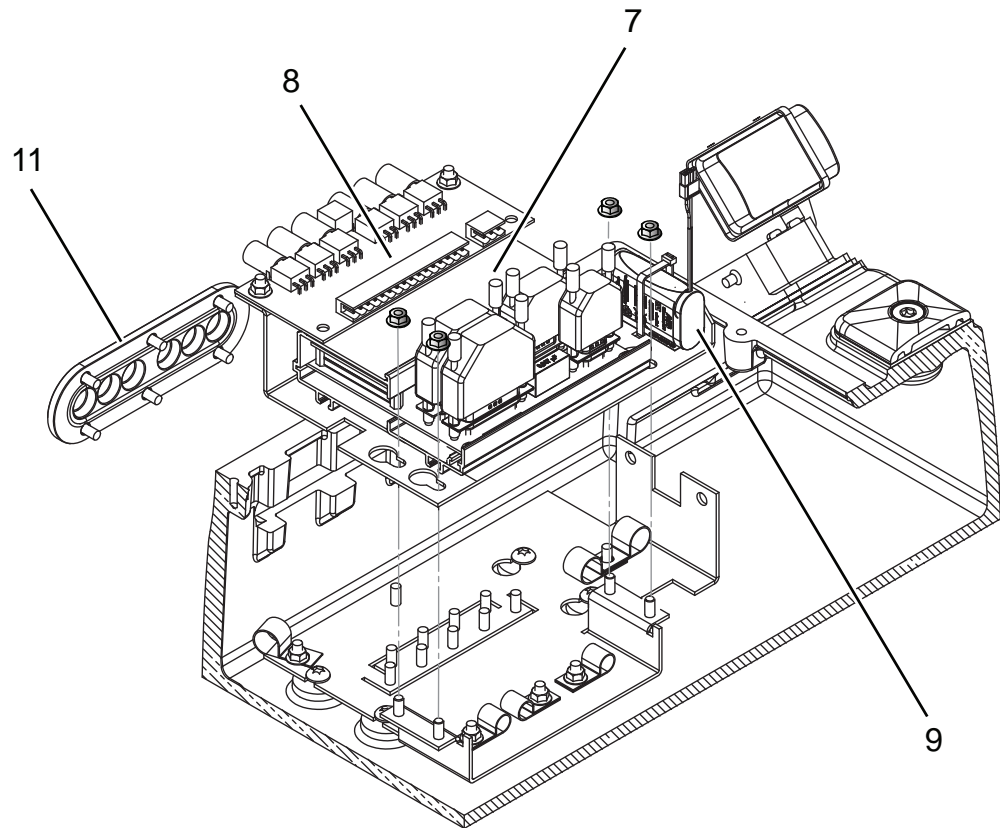
Continues on next page

2 Spare part lists and illustrations

2.1 Spare parts - base

Continued

RMU 101



2.2 Spare parts - base connections

Base connections, spare part list

The spare parts for connections at the base are listed below and shown in the following figure.

Item number	Description	Spare part number	Dimension
80	Gasket	3HAB9040-1	115 T=3
81	Housing 40P	3HAB6411-1	
82	Surface mounted housing HIP. 16/40 AG	3HAC022964-001	
84	Cover, cable harness wire feeder	3HAC022918-002	
85	Cover	3HAC6823-1	
86	Key pin	5217687-9	
87	Plug	3HAC11719-1	
88	Protective hood	25222101-8	D=11.4
89	Dust cap	5217649-9	
90	Environmental dust cap	3HAA1001-727	
92	Dust cap	3HAA1001-630	
93	Cover	3HAC7816-1	
94	Torx pan head roll. screw	9ADA629-34	
108	Protection cover 40-p	3HAC7816-1	
109	Protection cover 40-p	3HAC7816-1	

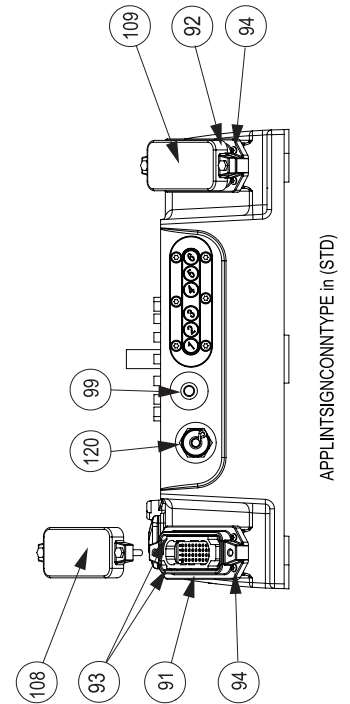
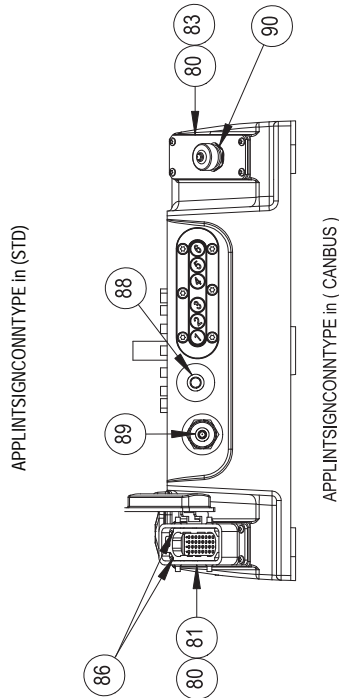
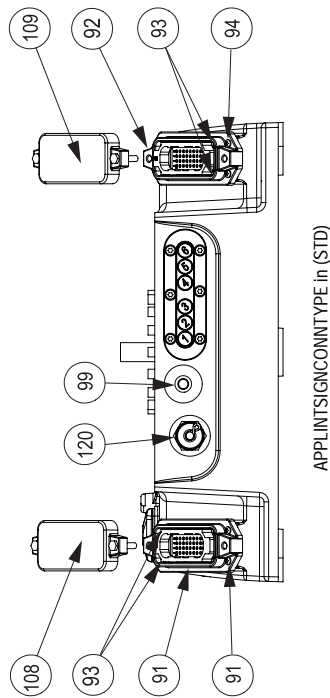
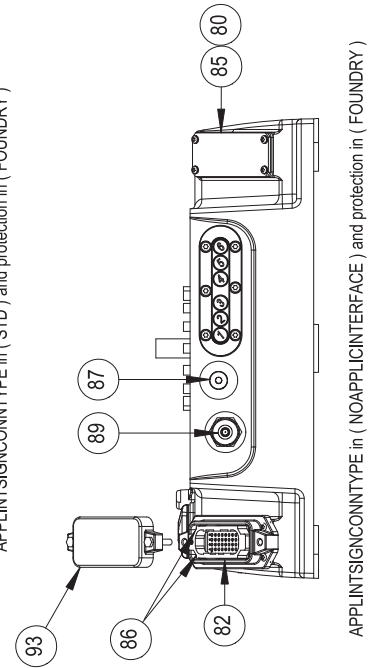
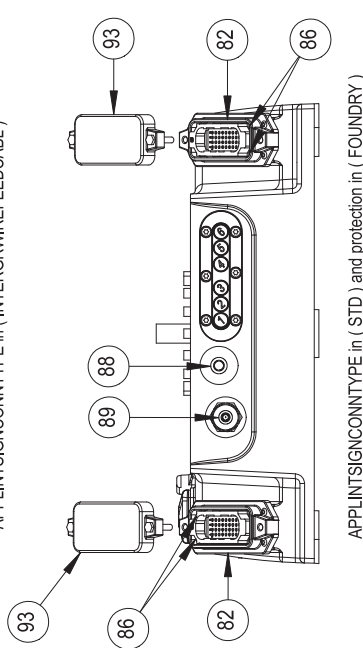
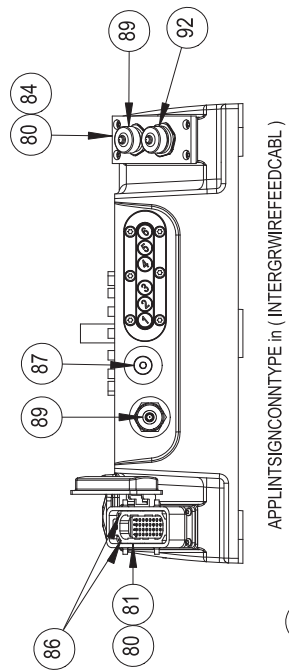
Continues on next page

2 Spare part lists and illustrations

2.2 Spare parts - base connections

Continued

Base connections, illustrations



xx0500001383

2.3 Spare parts - frame

Frame, spare part list

The spare parts are listed below and shown in the following figure.

Item number	Description	Spare part number	Color	Dimension
13	Torx pan head screw	9ADA618-56	-	Steel 8.8-A2F M6 x 16
20	Gearbox axis 1-2, spare	See note ⁱ		
21	Stop arm	3HAC050409-001	ABB Orange	
		3HAC050410-001	Graphite White	
22	Cover, gearbox axis 1-2	3HAC023556-001	ABB Orange	
		3HAC050394-001	Graphite White	
23	Gasket, gearbox axis 1-2	3HAC022048-001	-	
24	Damper, axis 2	3HAC022013-001	-	
25	V-ring (sealing ring)	3HAB3773-11	-	V-150A 135x12.8
26	Sealing ring (V-ring)	3HAB3732-13	-	V-110-L 99x10.5
27	Standard, Rot. ac motor incl. pinion	See note ⁱ		
28	O-ring	21522012-428	-	Nitrile rubber 79.5x3
100-109	Cabling	See section Base, spare part list on page 15 .		
108	Cable harness motor 1 - 2	3HAC023754-007	ABB Orange	
		3HAC023754-008	Graphite White	
109	Cable protection	3HAC036288-001	-	

ⁱ It is important that the gearbox and the mating motor pinion are provided by the same sub-supplier, make sure to order the correct spare part! See [Compatible gearboxes and motors on page 13](#) to determine the correct spare part.

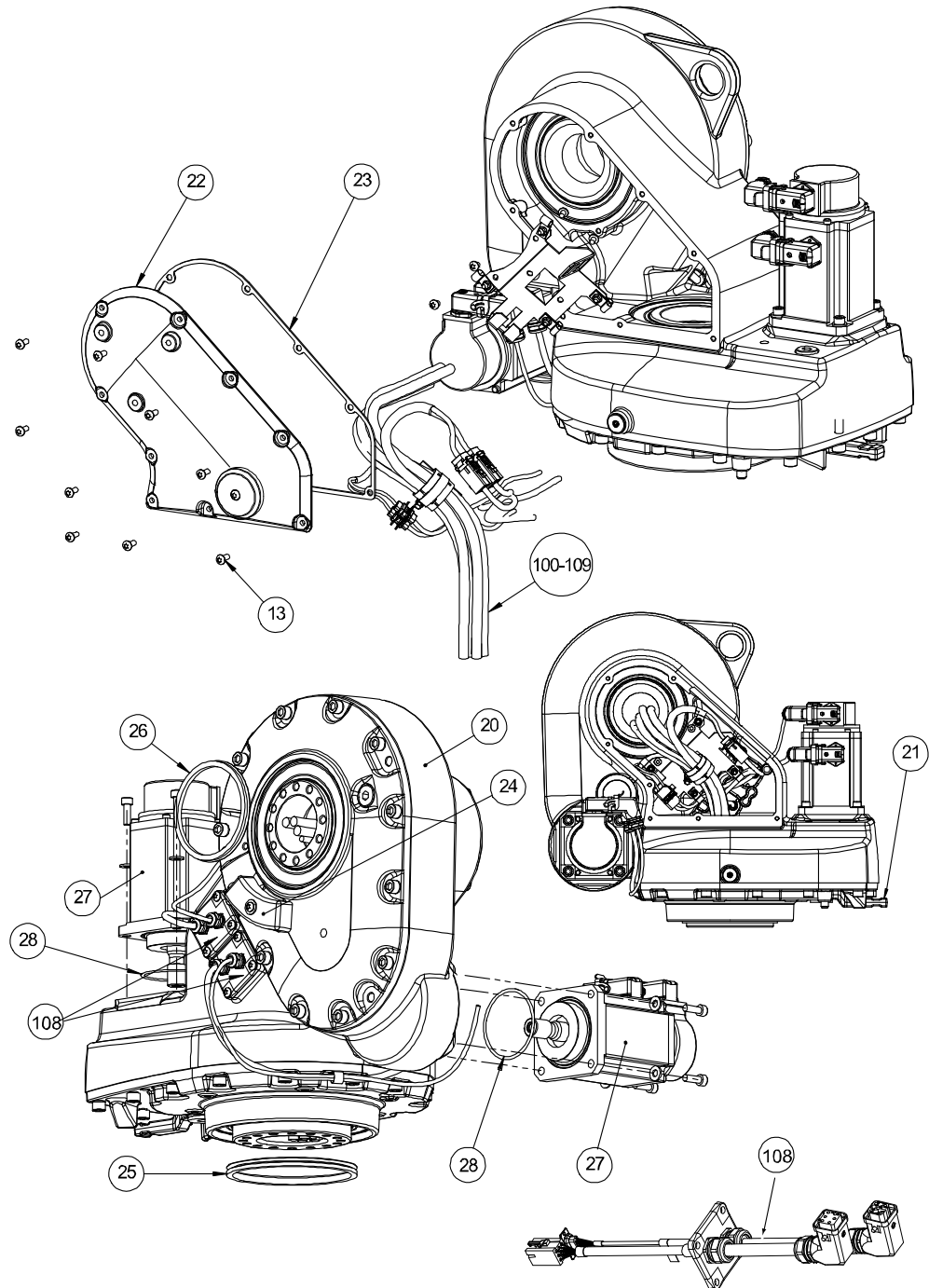
Continues on next page

2 Spare part lists and illustrations

2.3 Spare parts - frame

Continued

Frame, exploded view



xx0600002845

2.4 Spare parts - lower arm

Lower arm, spare part list

The spare parts are listed below and shown in the following figure.

Item number	Description	Spare part number	Color	Dimension
40	Lower arm, spare	3HAC062043-001	ABB Orange	
		3HAC062043-002	Graphite White	
41	Lower arm, short, spare	3HAC062044-001	ABB Orange	
		3HAC062044-002	Graphite White	
42	VK-cover	3HAA2166-23	-	D=120, B=12
43	VK-cover	3HAA2166-21	-	D=68, B=8
100-109	Cabling	See section Base, spare part list on page 15 .		

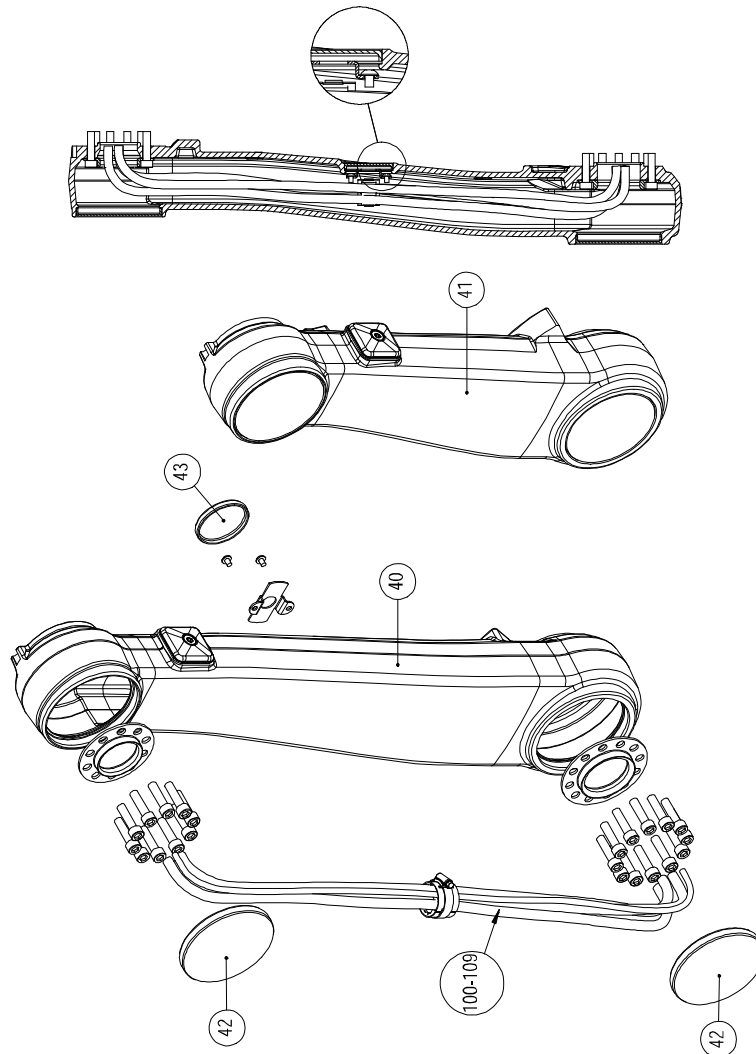
Continues on next page

2 Spare part lists and illustrations

2.4 Spare parts - lower arm

Continued

Lower arm, exploded view



xx0500001385

2.5 Spare parts - upper arm

Spare part list, upper arm

The spare parts listed below are shown in the exploded views, located on the next two pages.

Item number	Description	Spare part number	Protection type	Color	Dimension
13	Torx pan head screw	9ADA 618-56		-	Steel 8.8-A2F M6 x 16
60	Upper arm	See note ⁱ	Standard		
60	Upper arm	See note ⁱ	Clean Room		
61	Rot. ac motor incl pinion	3HAC021799-003		-	
62	O-ring	3HAB3772-81		-	Nitrile rubber D1=41, D2=3
63	Rot. ac motor incl pinion	3HAC021800-003		-	
64	Timing belt	3HAC6779-1		-	
65	Timing belt	3HAC021304-001		-	
66	O-ring sealingplate	3HAC025420-001		-	
67	Wrist ⁱⁱ	3HAC061146-002	Standard/Foundry	ABB Orange	
		3HAC061146-003	Standard/Foundry	Graphite White	
		3HAC061145-002	Clean Room	White	
68	Rot. ac motor incl pinion	See note ⁱ		-	
69	O-ring	21522012-426		-	Nitrile rubber 74.5x3
70	Damper, axis 3	3HAC022260-001		-	
71	Sealing ring (V-ring)	3HAB3732-19		-	Flourinated rubber/V-95A 85x11
72	Damper, axis 5	3HAB8964-1		-	
73	Arm housing cover, spare	3HAC023560-001		ABB Orange	
		3HAC050398-001		Graphite White	
74	Gasket, upper arm cover	3HAC022049-001		-	
75	Gasket, customer connections	3HAC022050-001		-	
76	Contact panel	3HAC022173-001		-	
77	Connector panel	3HAC022173-002		-	
79	Contact pane, Wire feeder	3HAC022173-006		-	
88	Protective hood	25222101-8		-	D=11.4-13
89	Dust cap	5217649-9		-	
90	Dust cap, bayonet	3HEA800897-002		-	

Continues on next page

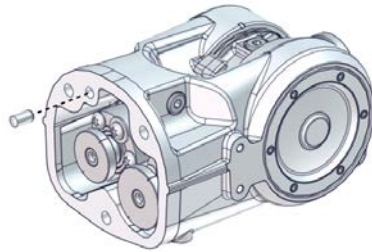
2 Spare part lists and illustrations

2.5 Spare parts - upper arm

Continued

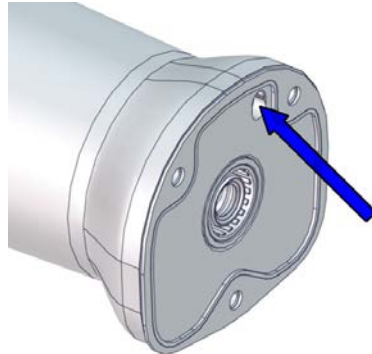
Item number	Description	Spare part number	Protection type	Color	Dimension
91	Dust cap, bayonet	3HEA800897-004		-	
94	Plug with o-ring M10	3HAC022881-003		-	
95	Coupling	3HAB3333-20		-	
96	Lamp unit	3HAC050417-001		ABB Orange	
		3HAC050418-001		Graphite White	
100-109	Cabling	See section Base, spare part list on page 15 .			

- i It is important that the gearbox and the mating motor pinion are provided by the same sub-supplier, make sure to order the correct spare part! See [Compatible gearboxes and motors on page 13](#) to determine the correct spare part.
- ii A guide pin is enclosed separately with the wrist. It is to be installed in the new wrist spare part if there is a guide pin hole available in the upper arm tube.



xx1700000118

The hole is available on robots introduced with Axis Calibration.

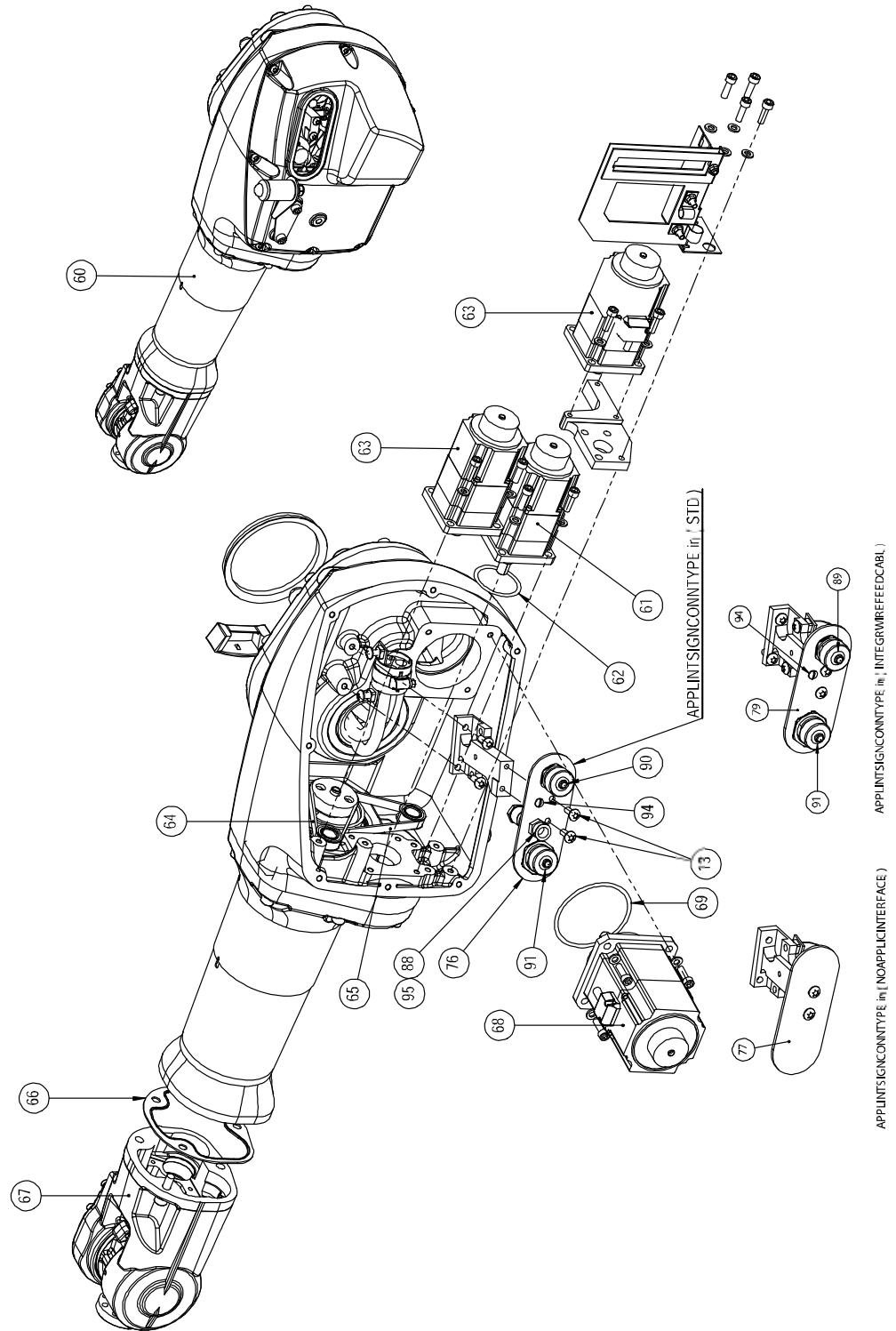


xx1700000117

If the guide pin is not installed on a robot calibrated with Axis Calibration, the calibration result will be affected negatively.

Continues on next page

Upper arm, exploded view 1



xx0600002854

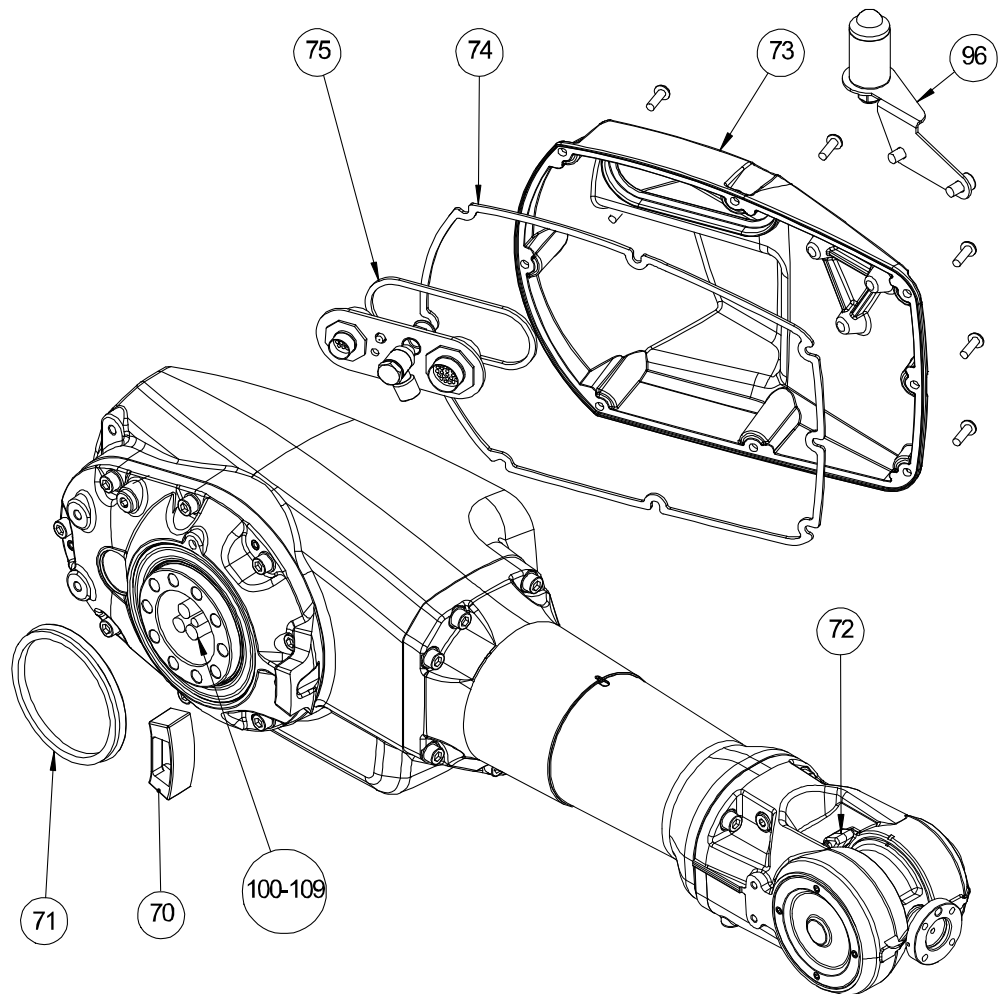
Continues on next page

2 Spare part lists and illustrations

2.5 Spare parts - upper arm

Continued

Upper arm, exploded view 2



xx0600002856

2.6 Spare parts - upper arm 1600ID

Spare part list, upper arm

The spare parts listed below are shown in the exploded views, located on the next pages.

Item number	Description	Spare part number	Color	Dimension
1	Wrist	3HAC027716-001	ABB Orange	without motor, plates and screws.
		3HAC050411-001	Graphite White	
2	<i>Cable harness IRB 1600ID-4/1.5 on page 31</i>	3HAC027523-001	-	plate
3	Motor axis 3 from Premium Stephan (<i>Motors and O-rings on page 32</i>)	3HAC021798-003	-	
	Motor axis 3 from SAMP (<i>Motors and O-rings on page 32</i>)	3HAC044557-001	-	
4	O-ring motor axis 3 (<i>Motors and O-rings on page 32</i>)	2152 2012-426	-	
5	Motor axis 4 and 5 (<i>Motors and O-rings on page 32</i>)	3HAC021799-003	-	
6	O-ring motor 4 and 5 (<i>Motors and O-rings on page 32</i>)	3HAB3772-81	-	
7	Motor axis 6	3HAC17342-1	-	
8	Cover arm housing (<i>Covers and mechanical stops on page 33</i>)	3HAC027874-001	ABB Orange	
		3HAC050412-001	Graphite White	
9	Mecanical stop (<i>Covers and mechanical stops on page 33</i>)	3HAC027626-001	-	plate
10	Cover upper arm tube (<i>Covers and mechanical stops on page 33</i>)	3HAC027877-001	ABB Orange	
		3HAC050413-001	Graphite White	
11	Indicator lamp (<i>Indicator lamp on page 34</i>)	3HAC9258-1	-	
	Lamp unit (including indicator lamp 3HAC9258-1)	3HAC16738-1		
12	Sealing ring (V-ring) axis 3 (<i>Exploded view on page 35</i>)	3HAB3732-19	-	

Continues on next page

2 Spare part lists and illustrations

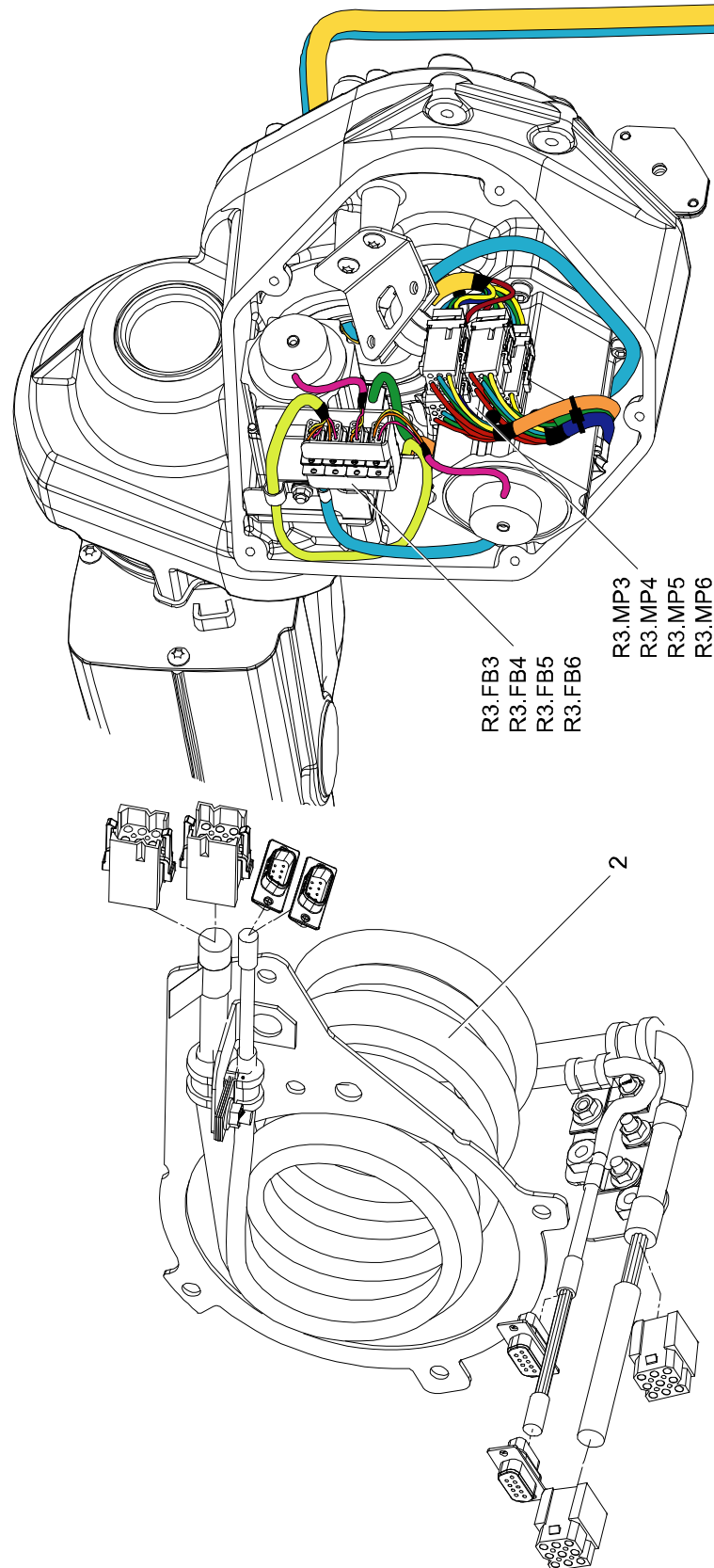
2.6 Spare parts - upper arm 1600ID

Continued

Item number	Description	Spare part number	Color	Dimension
13	V-ring (V 130A) axis 4	3HAB3732-25	-	
14	Oil plug with sealing	3HAC048968-001	-	

Continues on next page

Cable harness IRB 1600ID-4/1.5



xx070000156

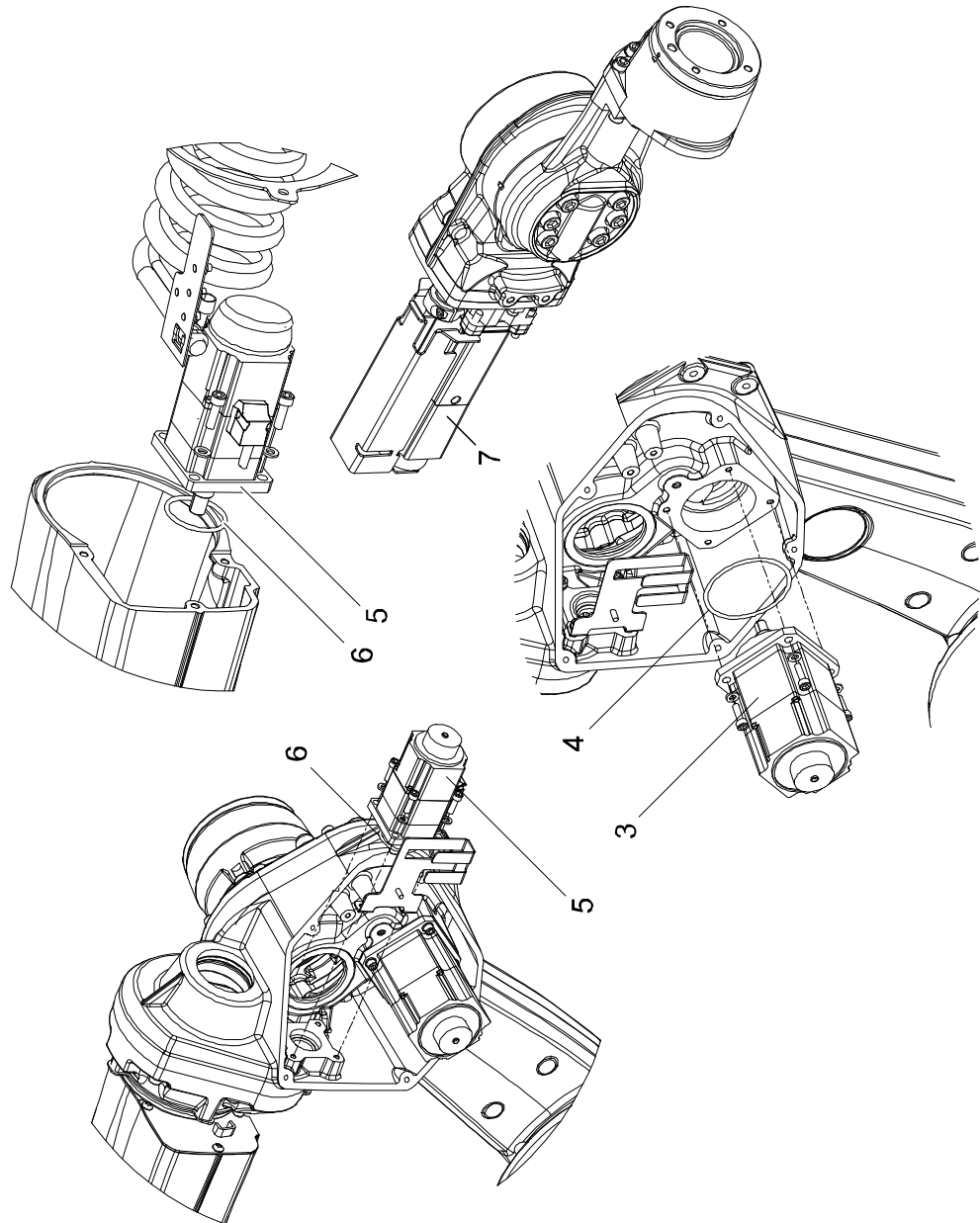
Continues on next page

2 Spare part lists and illustrations

2.6 Spare parts - upper arm 1600ID

Continued

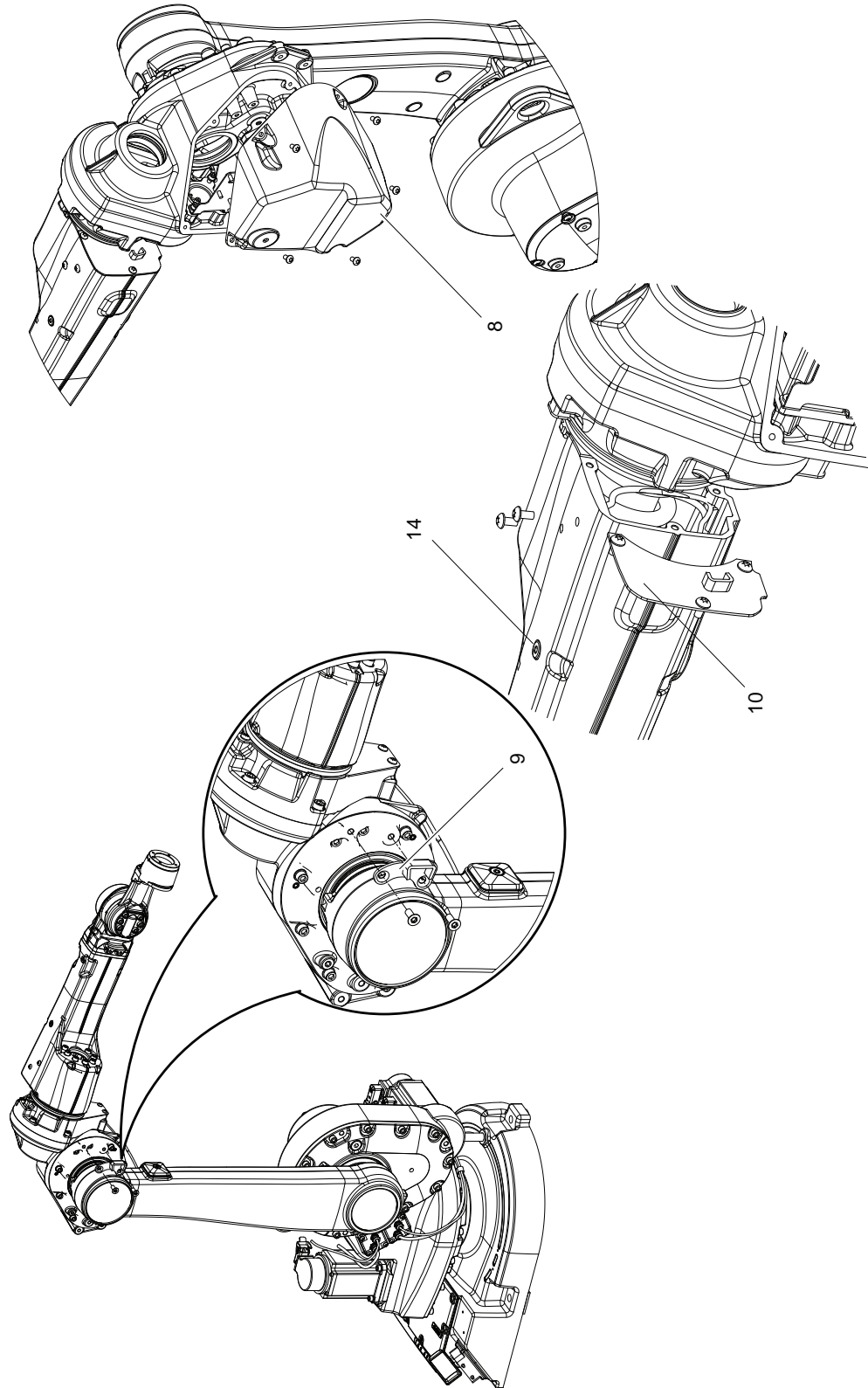
Motors and O-rings



xx070000157

Continues on next page

Covers and mechanical stops



xx070000158

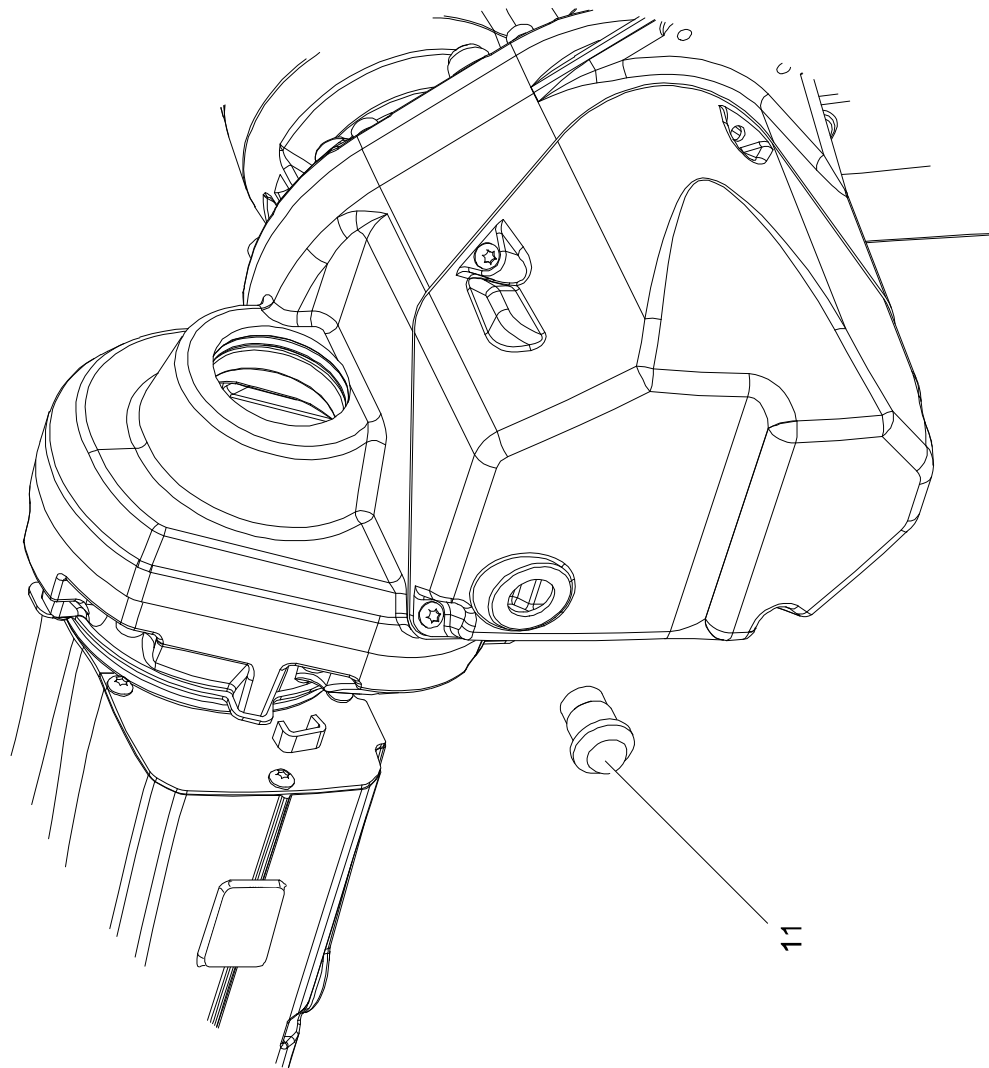
Continues on next page

2 Spare part lists and illustrations

2.6 Spare parts - upper arm 1600ID

Continued

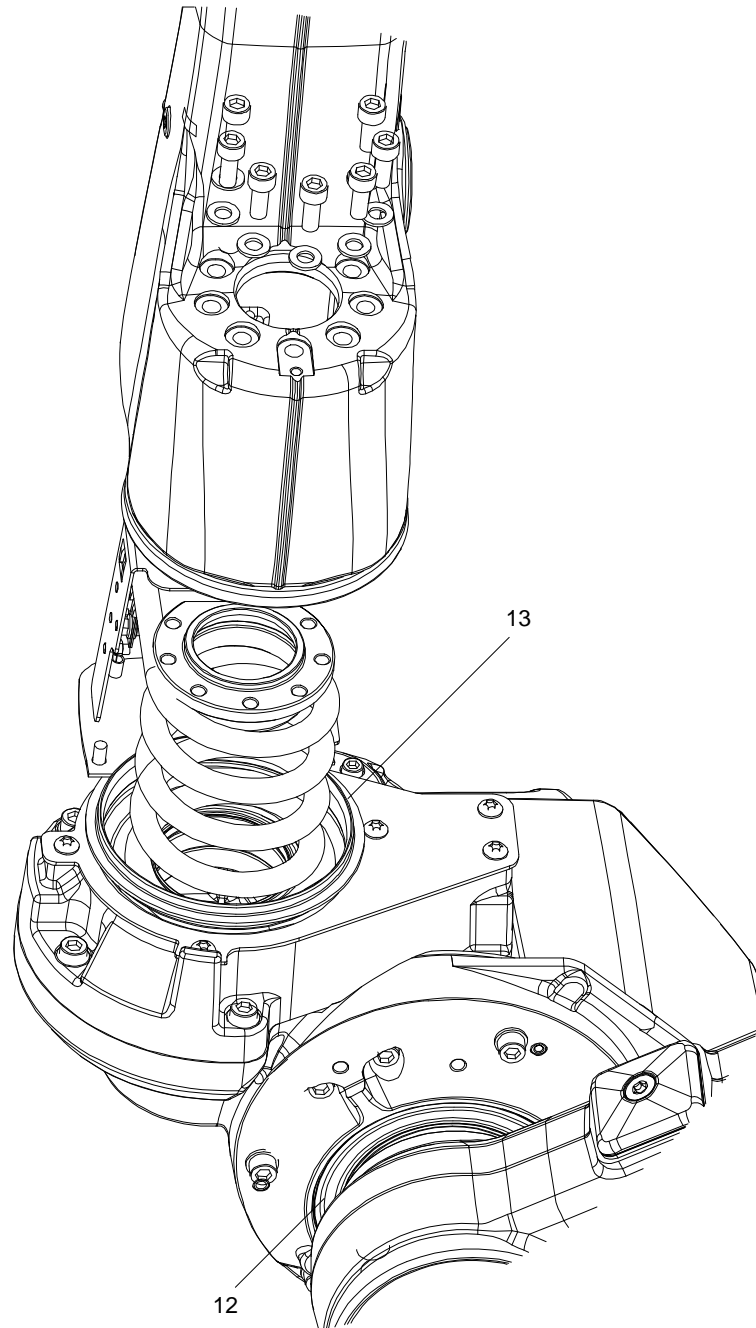
Indicator lamp



xx0700000159

Continues on next page

Exploded view



xx070000160

2 Spare part lists and illustrations

2.7 Spare parts - upper arm 1660ID

2.7 Spare parts - upper arm 1660ID

Spare part list, upper arm IRB 1660ID

The spare parts listed below are shown in the exploded views, located on the next pages.

Item number	Description	Spare part number	Color
1	Complete upper arm from SAMP (Complete upper arm IRB 1660ID on page 37)	3HAC062069-001	Graphite White
		3HAC062069-003	ABB Orange
	Complete upper arm from Premium Stephan (Complete upper arm IRB 1660ID on page 37)	3HAC058003-002	Graphite White
2	Wrist (Upper arm, exploded view IRB1660ID on page 38)	3HAC036626-005	ABB Orange
		3HAC059444-002	Graphite White
3	Cable harness (Cable harness IRB 1660ID on page 39)	3HAC055651-001	-
4	Motor axis 3 from Premium Stephan (Upper arm, exploded view IRB1660ID on page 38)	3HAC021798-003	-
	Motor axis 3 from SAMP (Upper arm, exploded view IRB1660ID on page 38)	3HAC044557-001	-
5	O-ring motor axis 3 (Upper arm, exploded view IRB1660ID on page 38)	2152 2012-426	-
6	Motor axis 4 (Upper arm, exploded view IRB1660ID on page 38)	3HAC021799-003	-
7	O-ring motor 4 (Upper arm, exploded view IRB1660ID on page 38)	3HAB3772-81	-
8	Motor axis 5 (Upper arm, exploded view IRB1660ID on page 38)	3HAC047574-002	-
9	O-ring motor 5 (Upper arm, exploded view IRB1660ID on page 38)	3HAB3772-112	-
10	Motor axis 6 (Upper arm, exploded view IRB1660ID on page 38)	3HAC17342-1	-
11	Cover arm housing (Upper arm, exploded view IRB1660ID on page 38)	3HAC058013-001	Graphite White
		3HAC058013-002	ABB Orange
12	Mechanical stop (Upper arm, exploded view IRB1660ID on page 38)	3HAC027626-001	-
13	Stop pin (Upper arm, exploded view IRB1660ID on page 38)	3HAC055592-001	-
14	Distance ring (Upper arm, exploded view IRB1660ID on page 38)	3HAC036561-001	-
15	O-ring M stop axis 4 (Upper arm, exploded view IRB1660ID on page 38)	3HAB3772-61	-
16	Indicator lamp (Indicator lamp IRB 1660ID on page 40)	3HAC9258-1	-
	Lamp unit (including indicator lamp 3HAC9258-1)	3HAC16738-1	

Continues on next page

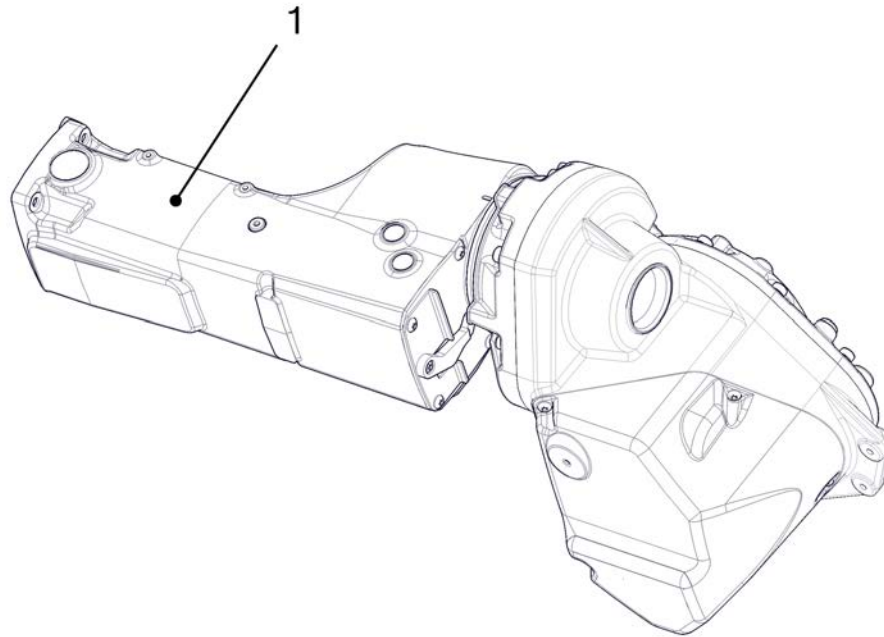
2 Spare part lists and illustrations

2.7 Spare parts - upper arm 1660ID

Continued

Item number	Description	Spare part number	Color
17	Sealing ring (V-ring) axis 3 (<i>Upper arm, exploded view IRB1660ID on page 38</i>)	3HAB3732-19	-
18	V-ring (V 130A) axis 4 (<i>Upper arm, exploded view IRB1660ID on page 38</i>)	3HAB3732-25	-
19	Oil plug with sealing	3HAC048968-001	-

Complete upper arm IRB 1660ID



xx150000686

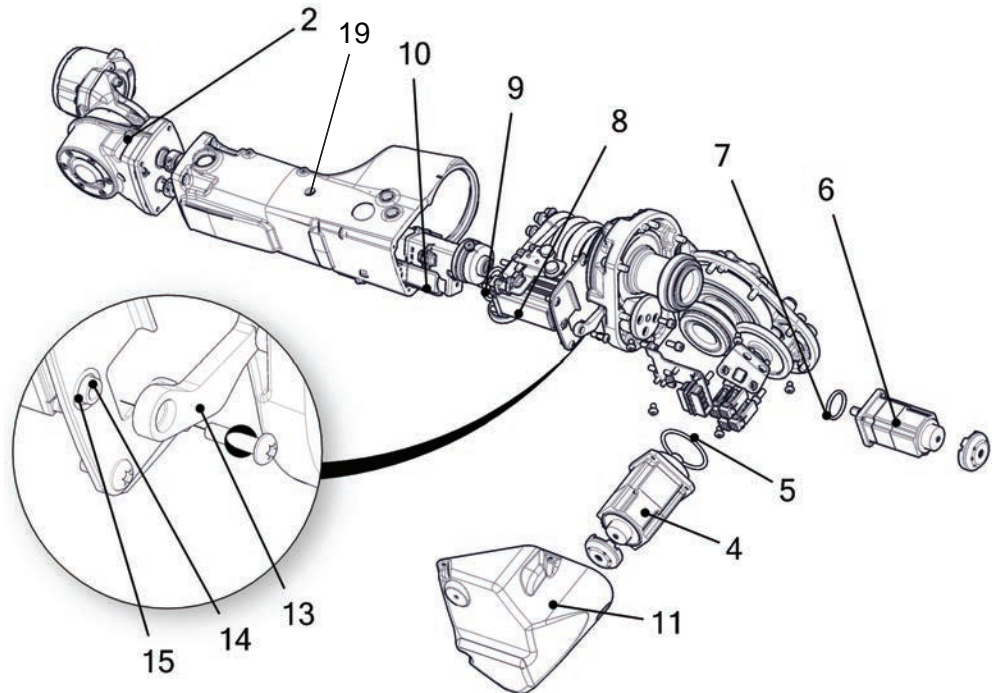
Continues on next page

2 Spare part lists and illustrations

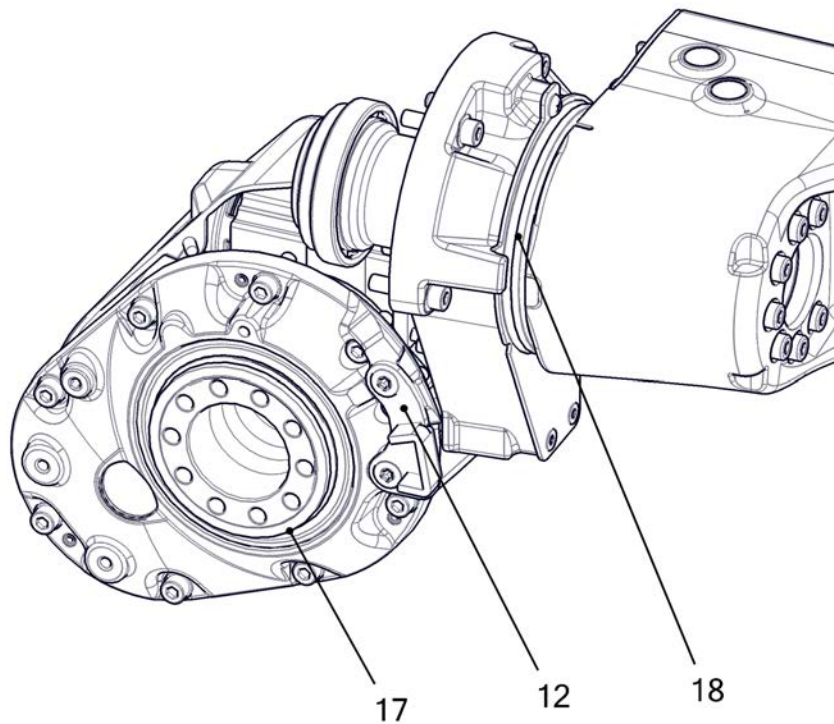
2.7 Spare parts - upper arm 1660ID

Continued

Upper arm, exploded view IRB1660ID



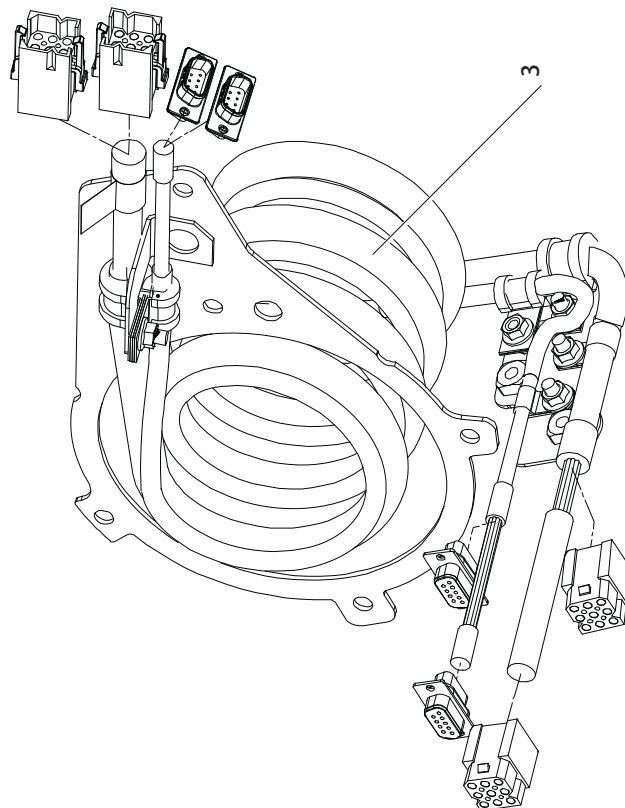
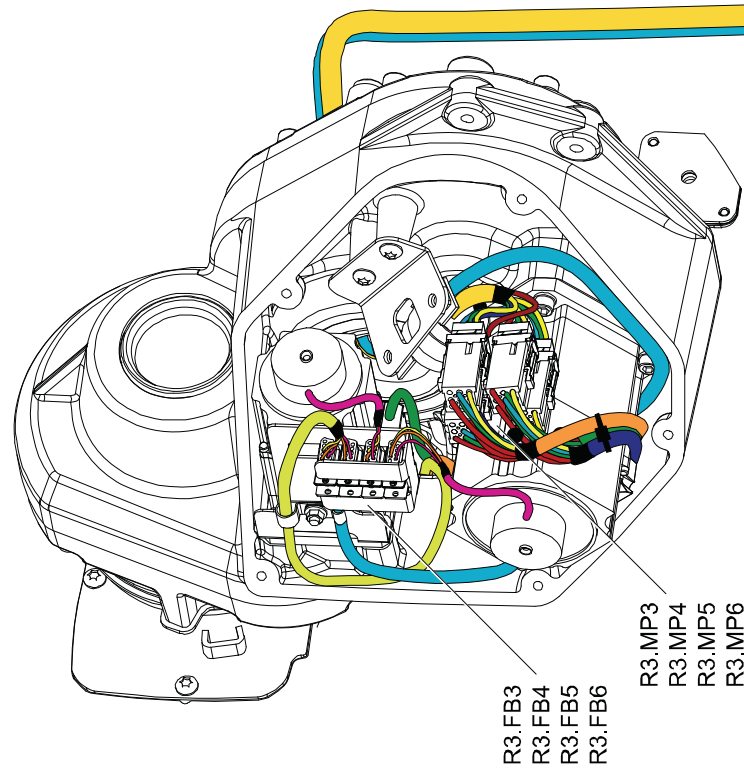
xx150000688



xx150000687

Continues on next page

Cable harness IRB 1660ID



xx150000689

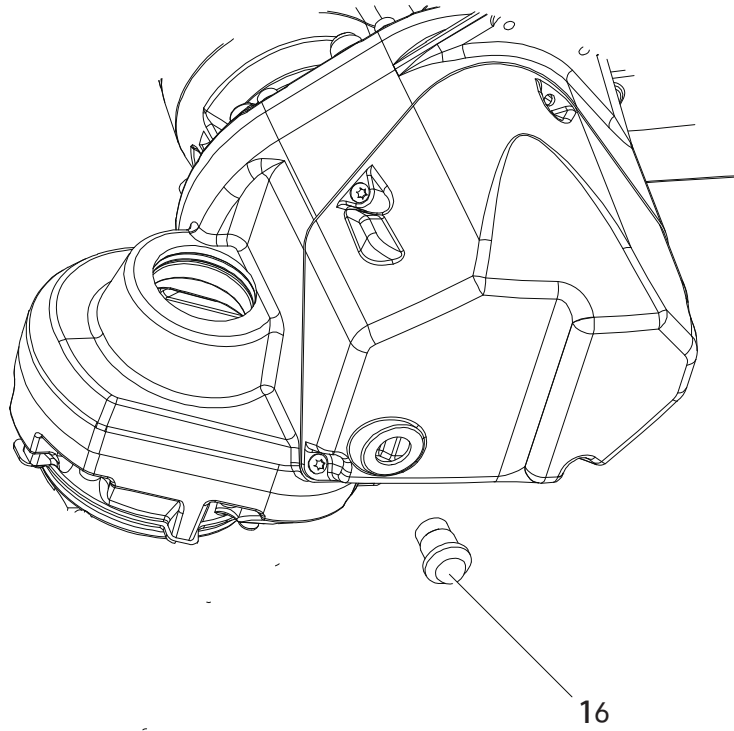
Continues on next page

2 Spare part lists and illustrations

2.7 Spare parts - upper arm 1660ID

Continued

Indicator lamp IRB 1660ID



xx150000690

2.8 Spare parts - options

General

This section specifies available options for the robot.

Spare parts - options

Option number	Description	Spare part number	Note
213-1	Lamp unit	3HAC022235-005	
431-1	Connection set R2.CP/R2.CS	3HAC025396-001	Only for standard connection.
28-1	Working range limit axis 1	3HAC026119-001	
32-1	Working range limit axis 2	3HAC026120-001	
34-1	Working range limit axis 3	3HAC026121-001	

This page is intentionally left blank

Index

I

illustration

base connections, 20

illustrations

base, exploded, 17

frame, exploded, 22

lower arm, exploded, 24

upper arm, exploded, 27–28

S

spare parts

base, 15, 17

base connections, 19–20

frame, 21–22

lower arm, 23–24

optional equipment, 41

upper arm, 25, 27–28



ABB AB

Robotics & Discrete Automation

S-721 68 VÄSTERÅS, Sweden

Telephone +46 (0) 21 344 400

ABB AS

Robotics & Discrete Automation

Nordlysvegen 7, N-4340 BRYNE, Norway

Box 265, N-4349 BRYNE, Norway

Telephone: +47 22 87 2000

ABB Engineering (Shanghai) Ltd.

Robotics & Discrete Automation

No. 4528 Kangxin Highway

PuDong New District

SHANGHAI 201319, China

Telephone: +86 21 6105 6666

ABB Inc.

Robotics & Discrete Automation

1250 Brown Road

Auburn Hills, MI 48326

USA

Telephone: +1 248 391 9000

abb.com/robotics